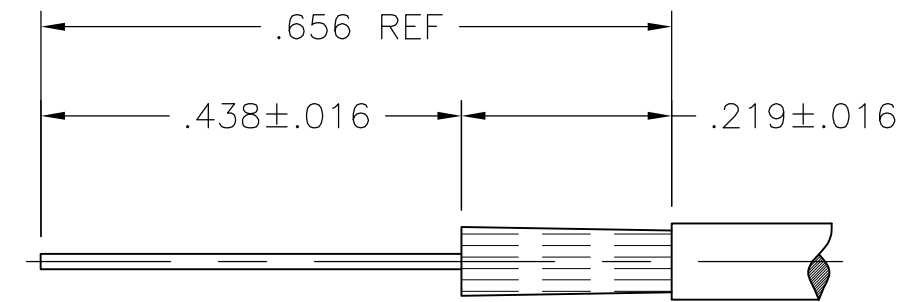
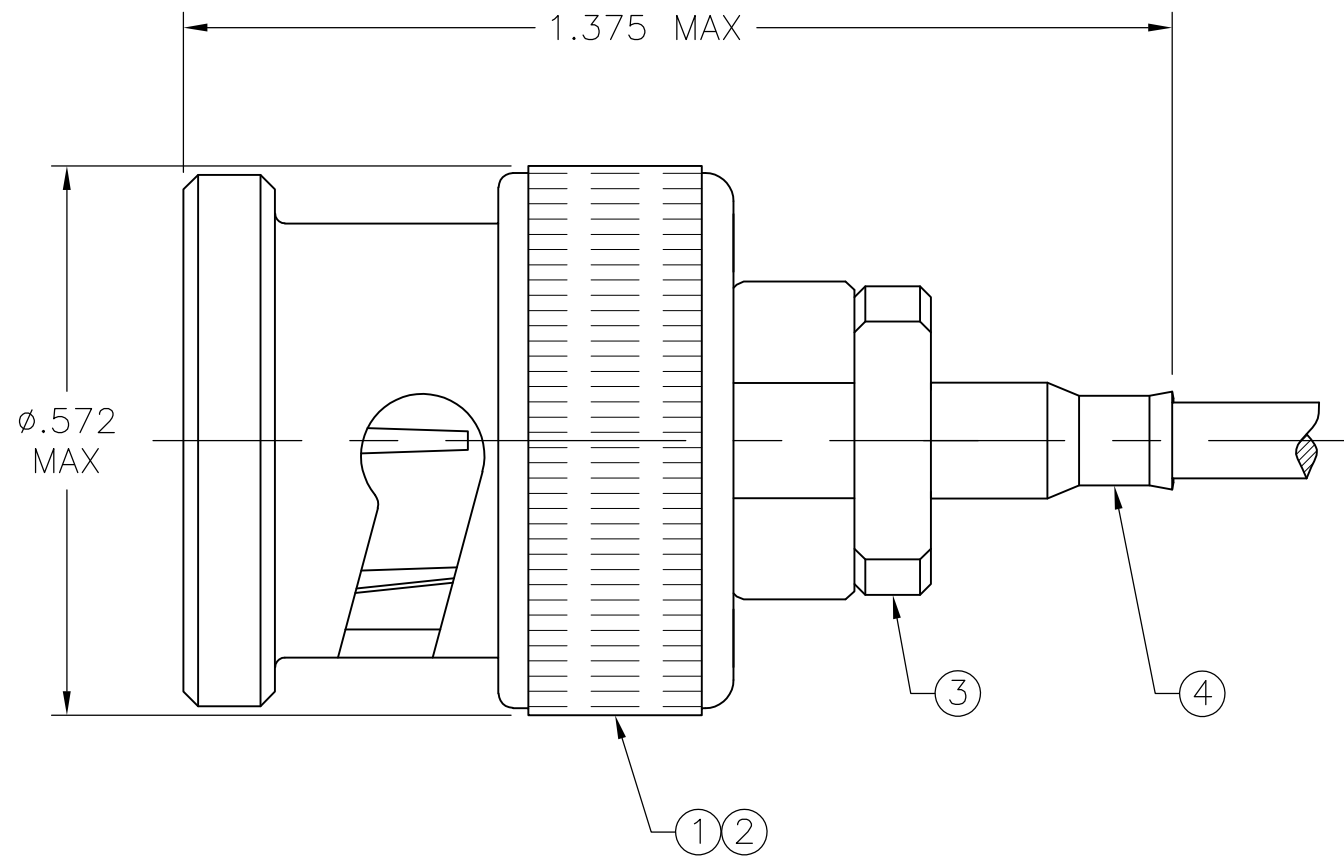


THIS DRAWING IS UNPUBLISHED. RELEASED FOR PUBLICATION  
 © COPYRIGHT - By - ALL RIGHTS RESERVED.

LOC	DIST	REVISIONS					
		P	LTR	DESCRIPTION	DATE	DWN	APVD
AJ	16		A	REV PER ECO 06-002539	06APR06	GB	JH
			B	REV PER ECO-12-011084	13JUN12	TITAN	MARTIN

1. FOR USE WITH: RG-174/U & 188/U CABLE.
2. USE CRIMPING TOOL: HAND TOOL 69710-1 WITH DIE SET 69422
3. SEE INSTRUCTION SHEET 408-1799-1.



RECOMMENDED STRIP LENGTH

9-328666-3	9-50780-7	2-329106-1	9-329327-1	2-5330058-1
④ FERRULE QTY=1	③ CRIMP AND ASSY QTY=1	② GASKET QTY=1	① PLUG ASSEMBLY QTY=1	PART NUMBER

THIS DRAWING IS A CONTROLLED DOCUMENT.		DWN B. MCMASTER 10DEC05	TE Connectivity	
DIMENSIONS: INCHES		CHK J. LIPPERT 10DEC05		
		APVD J. LIPPERT 10DEC05	NAME CONNECTOR, COAXIAL RF PLUG, SERIES BNC	
TOLERANCES UNLESS OTHERWISE SPECIFIED:		PRODUCT SPEC	RESTRICTED TO	
0 PLC ± - 1 PLC ± - 2 PLC ± - 3 PLC ± - 4 PLC ± - ANGLES ± -		APPLICATION SPEC	SIZE A3	CAGE CODE 00779
MATERIAL		WEIGHT .417 oz	DRAWING NO C-5330058	REV B
FINISH		CUSTOMER DRAWING		SCALE 5:1
				SHEET 1 OF 1